

NGB LED Eco



Made in RSA



Management System
ISO 9001:2015
www.tuv.com
ID: 310587023



Overview

- Versatile Usage:**
The NGB LED Eco luminaire is suitable for various indoor and outdoor applications, including industrial environments, emergency lighting, oil and gas facilities and mining areas.
- High Efficiency and Longevity:**
It offers superior lumen output, energy efficiency, and a long lifespan, ensuring bright and enduring illumination while optimizing energy consumption.
- Uniform Lighting:**
Provides uniform and glare-free illumination with a wide beam angle, enhancing visibility and creating a comfortable, well-lit environment.
- Accurate Color Rendering:**
Excels in colour rendering, guaranteeing accurate and vibrant lighting for enhanced visibility.
- Durable and Reliable:**
Features instant start capabilities without flickering, built to withstand impacts and vibrations, ensuring reliable performance even in challenging conditions with an IP rating of 66 for dust and water resistance.
- Easy Installation:**
Simplified installation with multiple mounting options, including ceilings, walls, and poles. Crafted with quality materials, it's a customizable and versatile lighting solution tailored to diverse requirements.

Applications



Walkway Lighting



Flood Lighting



Port Lighting



Security Lighting



Mining and Surface Areas



Oil and Gas



Industrial



Outdoor Areas



Indoor Areas

Industrial - Bulkhead - Floodlight

PERFORMANCE DATA

NGB LED PRO	NGB LED Eco 40	NGB LED Eco 80	NGB LED Eco 120
Wattage (W) +- 5% variance	40 W	80 W	120 W
Nominal Flux (Lumen)	7406	14812	22218
System Flux (Lumen)	6440	12880	19320
System Efficacy (lm/W)	161 lm/W	161 lm/W	161 lm/W
Emergency Operation	6W @ 1 hour 1020lm	6W @ 1 hour 1020lm	6W @ 1 hour 1020lm

ELECTRICAL OPERATING DATA

Driver Type	Constant Current,
Voltage input, Frequency and Power Factor	230VAC +- 10% / 50 or 60Hz / PF > 0.96
Running Current	0.192A @ 40W / 0.384A @ 80W / 0.579A @ 120W
Allowed Operating Temperature	-20° C to +40° C
Electrical and Thermal Protection	10kV L/N to Earth, 2kV L to N, Thermal cutout 20kV on request

LED CHARACTERISTICS AND OPTIC DATA

Available Optics	120° Standard and 30°, 60°, 90° Optional
Expected LED Lifespan	>54000 hours @ L70B10 85°C (According to LM-80-08)
Colour Rendering Index (CRI)	>80
Correlated Colour Temperature (CCT)	5000K Standard, 6000K and 4000K available as options on special request
IES Files	Available on request, Professional Lighting Design services available at no cost

PRODUCT MATERIAL AND INSTALLATION

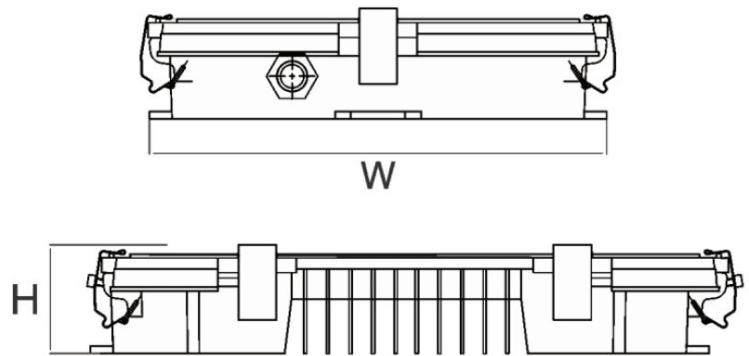
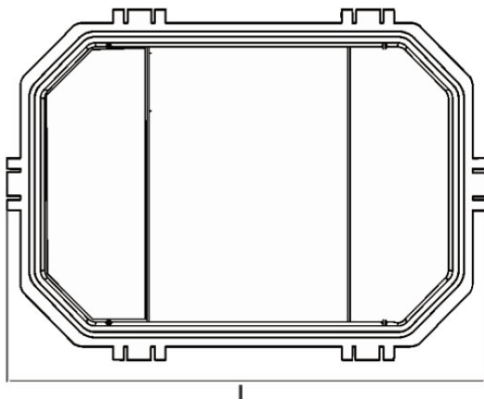
Housing Material and Finish	High Pressure, Die cast aluminium, Powder Coated Dark Grey (Other colours available on request)
Lens and Gasket	4mm Tempered glass lens / Rubber Silicone gasket cemented into groove
Ingress Protection and IK Rating	IP66 / IK08
Mounting and Installation options	Wall and Ceiling as standard, Flood trunnion arm and Pole mountings available on request

Certifications and Standards Compliance

Standards compliance	SANS 60589-1 / SANS 1464 - 22 (EM Versions)
ISO QMS	9001:2015

Dimensions and Packaging

Model	NGB LED Eco 40	NGB LED Eco 80	NGB LED Eco 120
Dimensions (Length x Width x Height) in mm	425 x 305 x 75	425 x 305 x 75	425 x 305 x 75
Weight (Unit / Packaged) in kg	6.0 / 6.2	6.1 / 6.3	6.2 / 6.4



Miscellaneous

Contact Nordland	T: 010 442 2809	E: Sales@Nordland.co.za	W: https://nordland-lighting.com
Warranty Details	5 Years (Limited)	T's and C's Available from Nordland	W: https://nordland-lighting.com
Free Services Provided	Lighting Audits	Lighting Designs by Accredited Professionals	Lighting Specification Writing and Tender Detail Assistance

52 Fransen street, Chamdor, Krugersdorp, Johannesburg, South Africa

The information provided in this datasheet is intended for general informational purposes only. Nordland reserves the right to make changes or updates to the specifications, design, and other information contained herein at any time without prior notice. While we strive to ensure the accuracy and completeness of the information provided, we do not guarantee that it is free from errors, omissions, or inaccuracies. Nordland shall not be held liable for any direct, indirect, incidental, or consequential damages arising from the use or reliance on the information contained in this datasheet. It is the responsibility of the user to verify and confirm all information before making any decisions or commitments based on it. For the most up-to-date information, please refer to the latest version of this datasheet or contact Nordland directly.

